

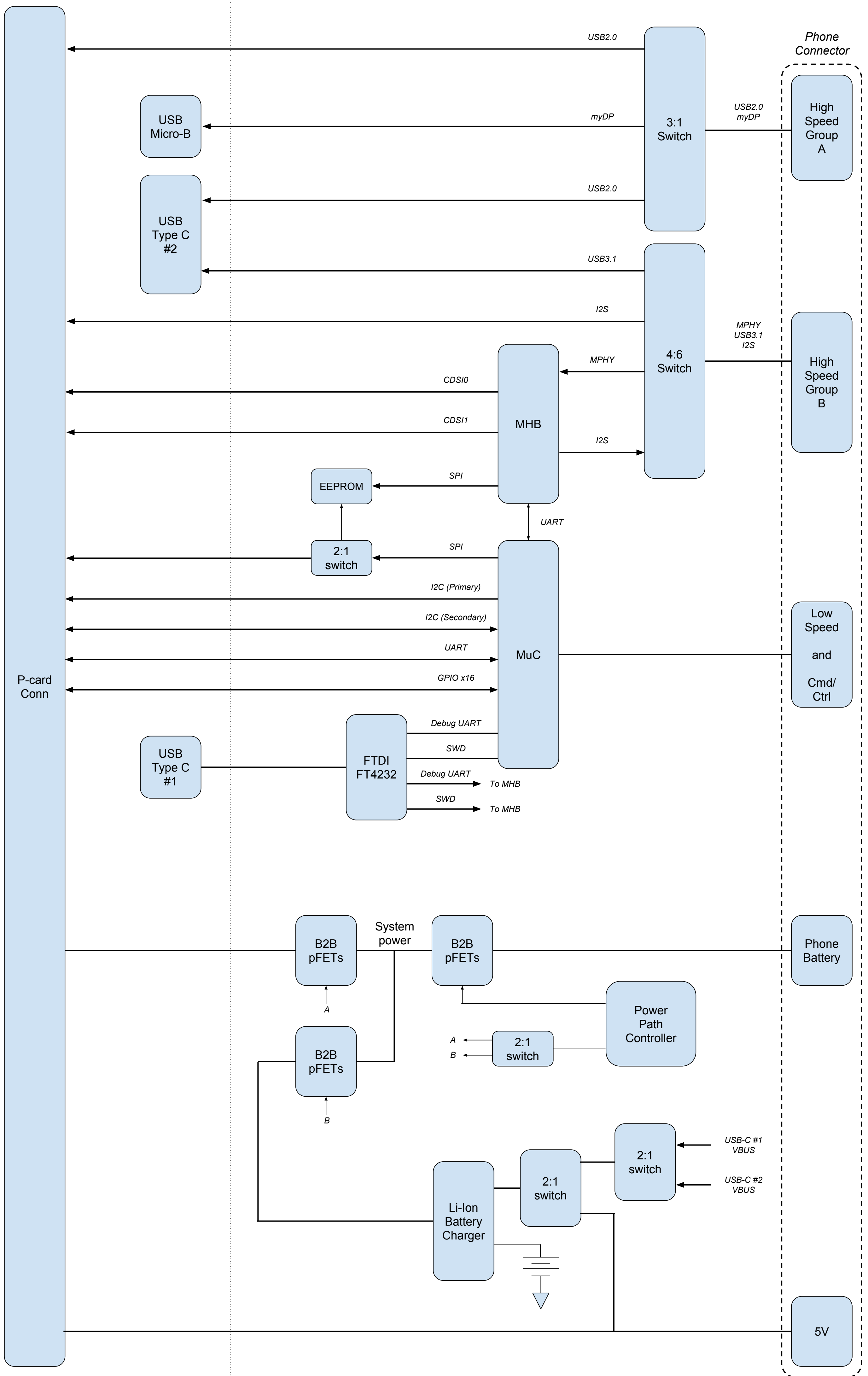
MOTO MODS DEVELOPMENT KIT SCHEMATIC
(PARTIAL)

REVISION HISTORY

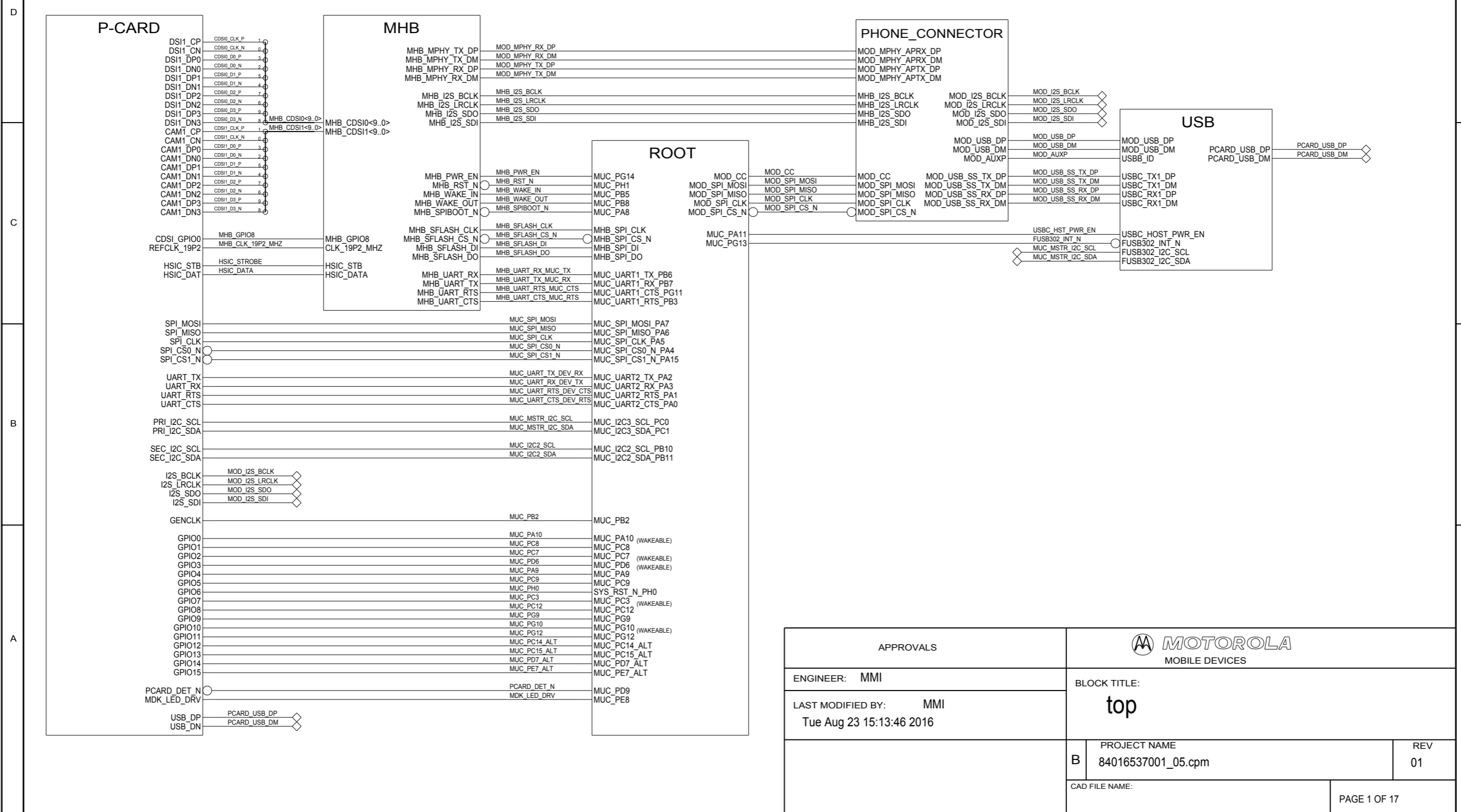
V1.0 INITIAL RELEASE

V1.1 Change U1100 from STM32L476MEY6TR 512K Flash part to STM32L476MG 1M Flash part.

← Development Connectors MDK Internals →



MDK MAIN PVT



APPROVALS		 MOTOROLA MOBILE DEVICES	
ENGINEER: MMI		BLOCK TITLE:	
LAST MODIFIED BY: MMI		top	
Tue Aug 23 15:13:46 2016		PROJECT NAME	REV
		B 84016537001_05.cpm	01
		CAD FILE NAME:	PAGE 1 OF 17

PHONE_CONN: MAIN

MOD_MPHY_APTX_DP_C <<-
 MOD_MPHY_APTX_DM_C <<-
 MOD_MPHY_APRX_DP_C >>-
 MOD_MPHY_APRX_DM_C >>-


 MOD_AUXP <IO>
 MOD_USB_DP <IO>
 MOD_USB_DM <IO>

 MOD_SPI_CS_N <OUT>
 MOD_SPI_CLK <OUT>
 MOD_SPI_MOSI <OUT>
 MOD_SPI_MISO <IN>

 MOD_CC <IO>

 MOD_BPLUS >-
 MOD_VBUS >-

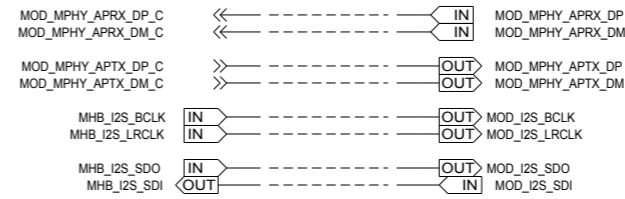
THIS PAGE INTENTIONALLY LEFT (ALMOST) BLANK.
 I/O IS SHOWN TO INCREASE SCHEMATIC READABILITY.

APPROVALS		 MOTOROLA MOBILE DEVICES	
ENGINEER: MMI		BLOCK TITLE:	
LAST MODIFIED BY: MMI Tue Aug 23 12:45:01 2016		<h2>phone_connector</h2>	
B	PROJECT NAME		REV
	84016537001_05.cpm		01
CAD FILE NAME:			PAGE 2 OF 17

PHONE_CONN: IFACE CONFIG

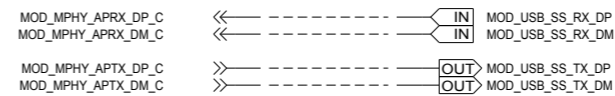
"HIGH SPEED GROUP B" OPTION 1

COMPLETE THESE CONNECTIONS FOR MODS THAT USE THE MHB/MPHY FOR DISPLAY AND/OR CAMERA SUPPORT



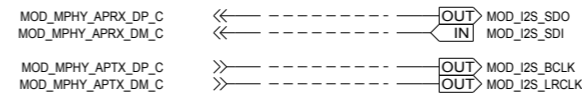
"HIGH SPEED GROUP B" OPTION 2

COMPLETE THESE CONNECTIONS FOR MODS THAT USE USB3.1



"HIGH SPEED GROUP B" OPTION 3

COMPLETE THESE CONNECTIONS FOR MODS THAT USE RAW I2S AUDIO



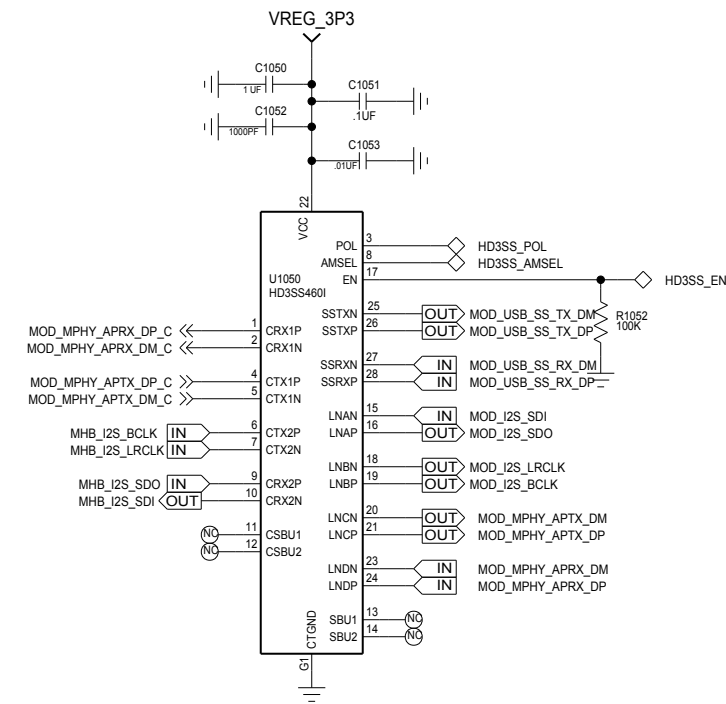
APPROVALS		MOTOROLA MOBILE DEVICES	
ENGINEER: MMI		BLOCK TITLE: phone_connector	
LAST MODIFIED BY: MMI Tue Aug 23 15:17:36 2016		PROJECT NAME B 84016537001_05.cpm	REV 01
		CAD FILE NAME:	PAGE 3 OF 17

DEVELOPER NOTES (IFACE CONFIG):

- 1) CHOOSE *ONLY ONE* OF THE OPTIONS ON THIS PAGE FOR YOUR MOD DESIGN
- 2) FOR MODS THAT DO NOT REQUIRE ANY OF THE GROUP B INTERFACES, ALL CONNECTIONS CAN REMAIN OPEN.

PHONE_CONN: IFACE CONFIG (MDK ONLY)

"HIGH SPEED GROUP B" SWITCH

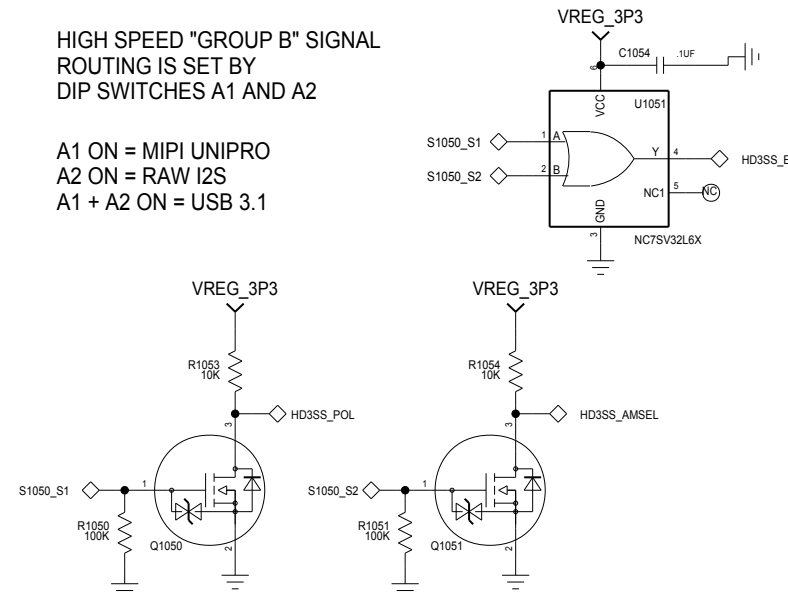


EN	POL	AMSEL	
L (DEFAULT)	X (DEFAULT)	X (DEFAULT)	ALL PORTS HIGH-Z
H	L	L	MHB GPIOs TO I2S (DON'T CARE)
H	L	H	MHB GPIOs TO I2S (CTX2<->LNB, CRX2<->LNA)
H	H	L	INTERFACE PINS TO I2S (CTX1<->LNB, CRX1<->LNA) MHB GPIOs TO USB SS (DON'T CARE)
H	H	H	INTERFACE PINS TO I2S (CTX1<->LNB, CRX1<->LNA) MHB GPIOs TO MHB MPHY (DON'T CARE)

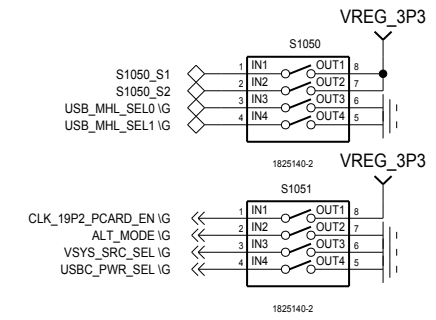
"GROUP B" SWITCH CONTROL

HIGH SPEED "GROUP B" SIGNAL ROUTING IS SET BY DIP SWITCHES A1 AND A2

A1 ON = MIPI UNIPRO
A2 ON = RAW I2S
A1 + A2 ON = USB 3.1



USER DIP SWITCHES




APPROVALS		MOTOROLA MOBILE DEVICES	
ENGINEER: MMI		BLOCK TITLE: phone_connector	
LAST MODIFIED BY: MMI Tue Aug 23 15:18:00 2016		PROJECT NAME B 84016537001_05.cpm	REV 01
CAD FILE NAME:		PAGE 4 OF 17	


DEVELOPER NOTE (MDK CONVERSION):

1) DELETE THIS PAGE ENTIRELY WHEN DESIGNING YOUR OWN MOD

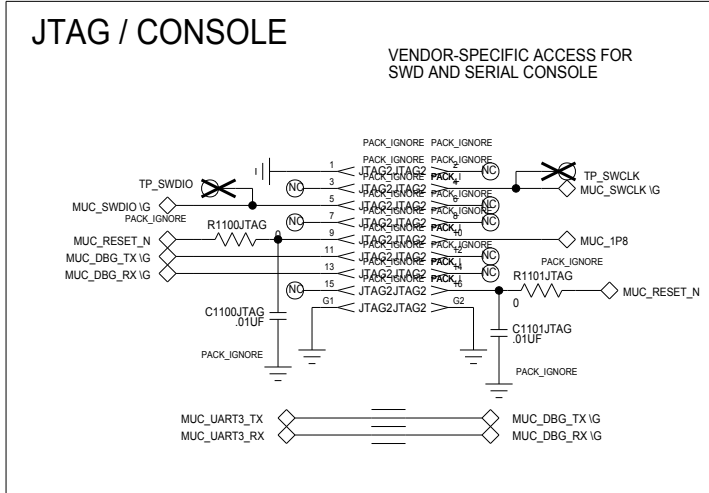
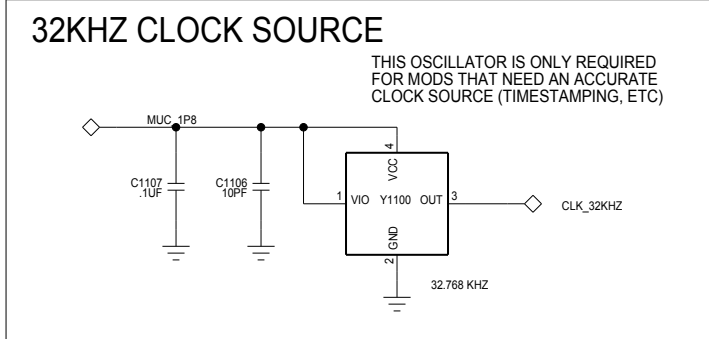
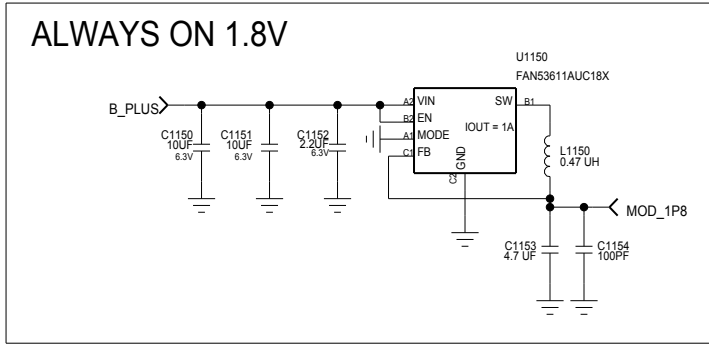
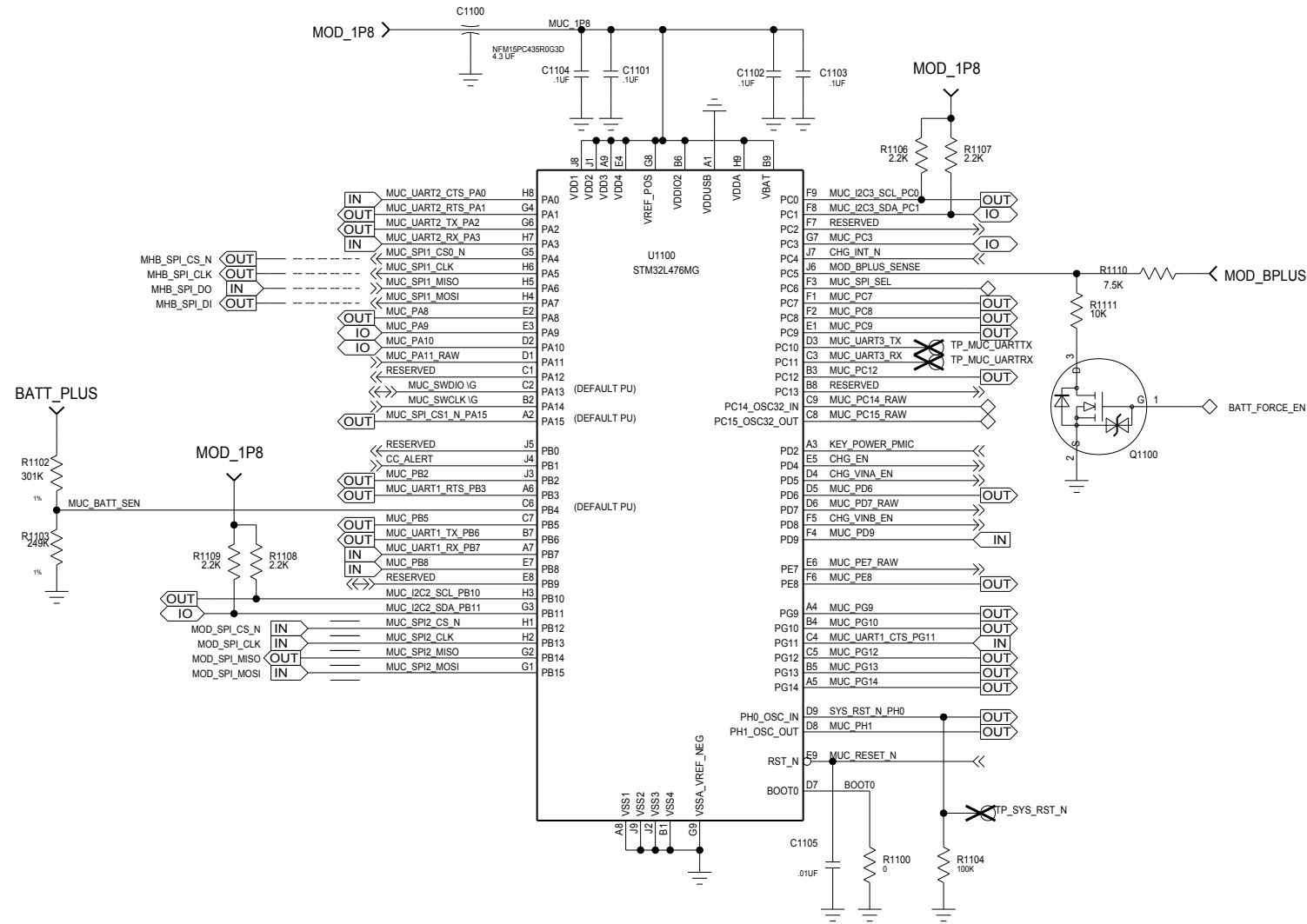
ROOT: IFACE SUPPORT

MOD_CC —
—>> MOD_BPLUS_EN_N
—>> MOD_VSYS_EN_N
—>> MOD_BPLUS_DISCHG
—<<< MUC_RESET_N

THIS PAGE INTENTIONALLY LEFT (ALMOST) BLANK.
I/O IS SHOWN TO INCREASE SCHEMATIC READABILITY.

APPROVALS		 MOTOROLA MOBILE DEVICES	
ENGINEER: MMI		BLOCK TITLE:	
LAST MODIFIED BY: MMI Tue Aug 23 12:12:36 2016		root	
		PROJECT NAME B 84016537001_05.cpm	REV 01
		CAD FILE NAME:	PAGE 5 OF 17

ROOT: MUC



APPROVALS		MOTOROLA MOBILE DEVICES	
ENGINEER: MMI		BLOCK TITLE: root	
LAST MODIFIED BY: MMI Tue Aug 23 15:02:01 2016		PROJECT NAME B 84016537001_05.cpm	REV 01
CAD FILE NAME:		PAGE 6 OF 17	

DEVELOPER NOTE (MDK CONVERSION):

- 1) COMPLETE THE CONNECTIONS BETWEEN MUC_SPI1_x AND MHB_SPI_x FOR USE BY MHB AND/OR EXTERNAL PERIPHERALS

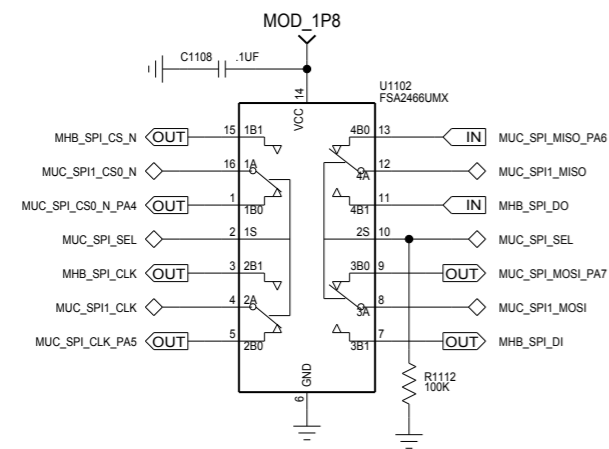
ROOT: MUC (MDK ONLY)

MUC DOWNSTREAM SPI SWITCH

MUC SPI1 IS SWITCHED BETWEEN MHB SPI FLASH (FOR F/W UPGRADE) AND ALL OTHER PERIPHERALS FOR GENERIC DEVELOPMENT

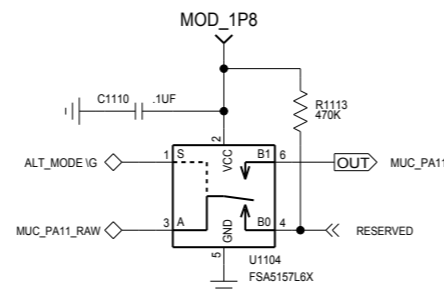
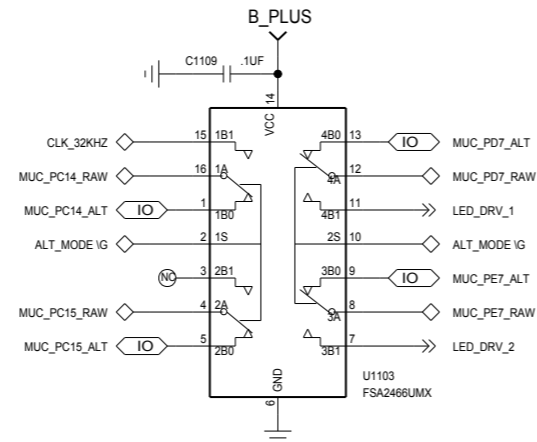
THIS IS NOT A PLATFORM REQUIREMENT BUT WAS REQUIRED ON THE MDK TO CONSERVE MUC GPIOs

FOR MOD DESIGNS THAT USE THE MHB, IT IS RECOMMENDED TO USE MUC SPI1 EXCLUSIVELY FOR MHB ACCESS



GPIO ALT MODE SWITCHES

THESE SWITCHES ARE NOT A PLATFORM REQUIREMENT BUT WERE REQUIRED ON THE MDK TO CONSERVE MUC GPIOs



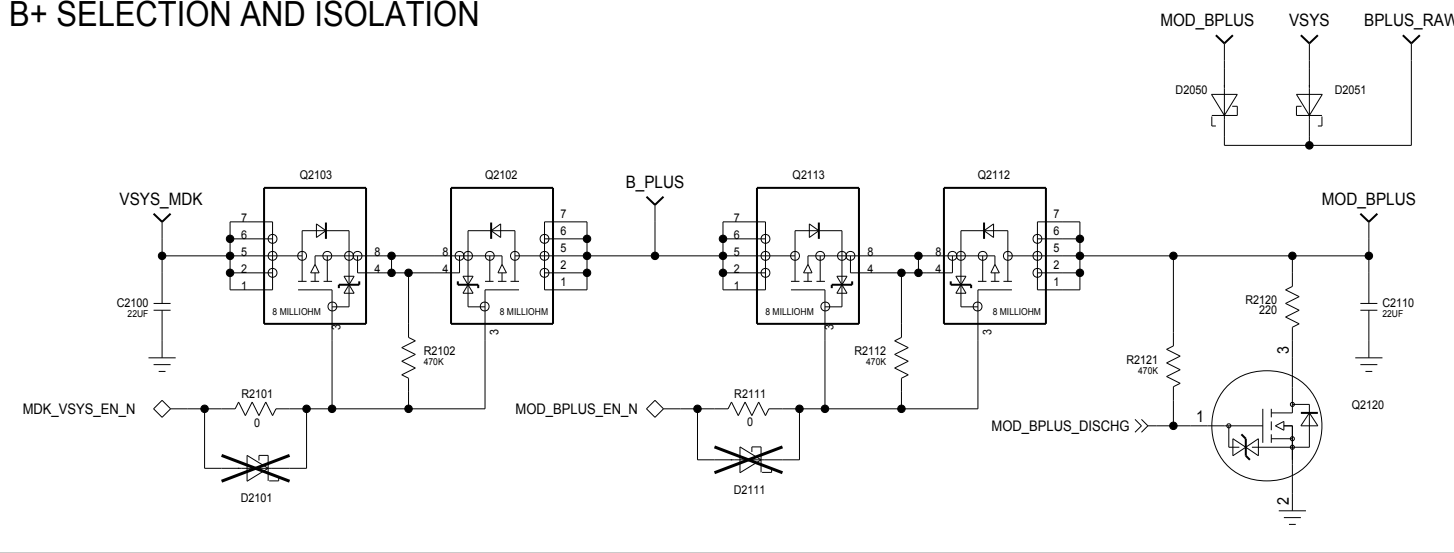
APPROVALS			
ENGINEER: MMI		BLOCK TITLE:	
LAST MODIFIED BY: MMI Tue Aug 23 15:19:30 2016		root	
B	PROJECT NAME	REV	
	84016537001_05.cpm	01	
CAD FILE NAME:		PAGE 7 OF 17	

DEVELOPER NOTE (MDK CONVERSION):

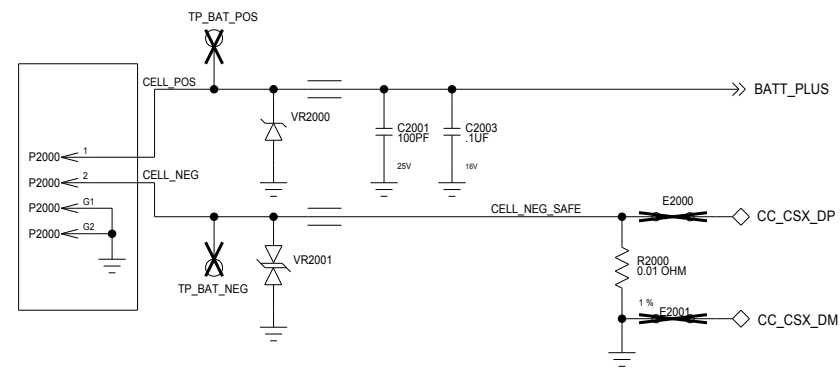
- 1) DELETE THIS PAGE ENTIRELY WHEN DESIGNING YOUR OWN MOD

ROOT: BATTERY

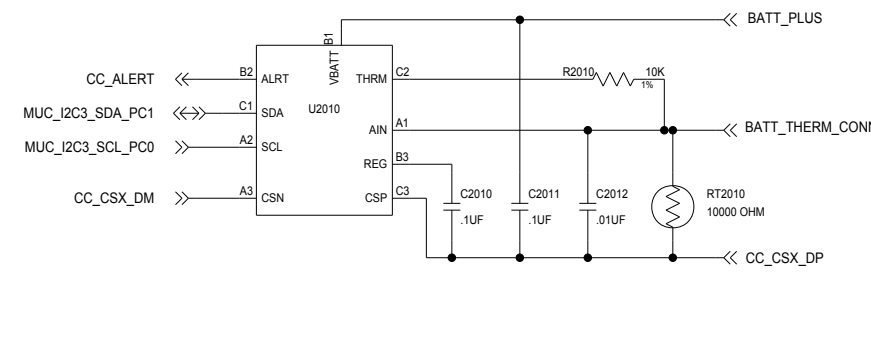
B+ SELECTION AND ISOLATION



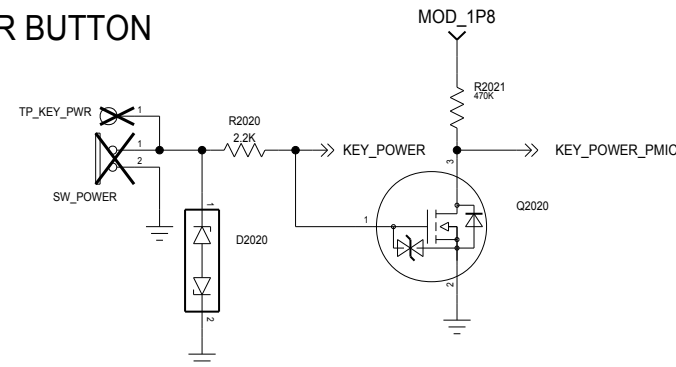
BATTERY CONNECTOR



GAS GAUGE



USER BUTTON



APPROVALS		MOTOROLA MOBILE DEVICES	
ENGINEER: MMI		BLOCK TITLE: root	
LAST MODIFIED BY: MMI Tue Aug 23 12:12:37 2016		PROJECT NAME B 84016537001_05.cpm	REV 01
CAD FILE NAME:		PAGE 8 OF 17	

DEVELOPER NOTE (BATTERY CONFIG):

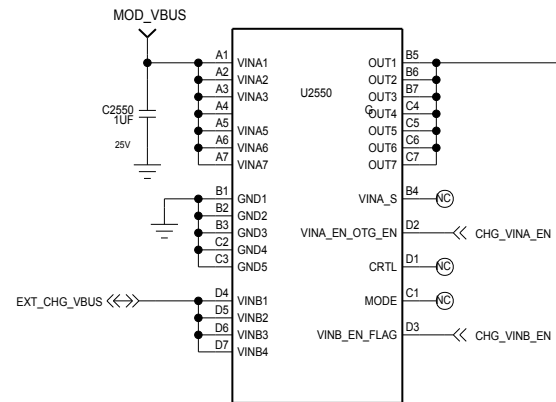
1) MODS THAT DO NOT HAVE A BATTERY CAN REMOVE ALL COMPONENTS ON THIS PAGE AND CONNECT MOD_BPLUS DIRECTLY TO B_PLUS

DEVELOPER NOTE (MDK CONVERSION):

- 1) REPLACE "VSYS_MDK" WITH "VSYS"
- 2) REPLACE "MDK_VSYS_EN_N" WITH "MOD_VSYS_EN_N"

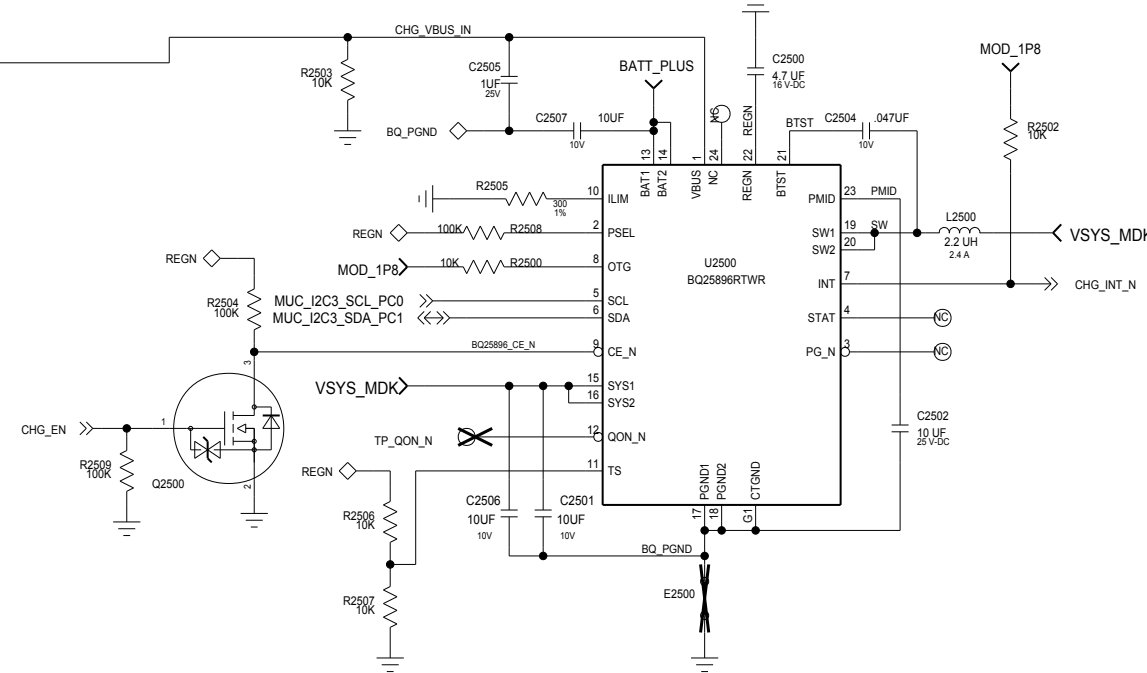
ROOT: CHARGING

DUAL-INPUT SWITCH



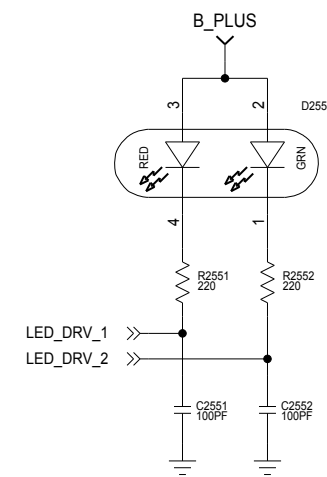
VINA_EN	VINB_EN	
L	L	OPEN
L (DEFAULT)	H (DEFAULT)	VINB CONDUCTING
H	L	VINA CONDUCTING
H	H	VINB AND VINA CONDUCTING

EXTERNAL CHARGER



STATE OF CHARGE LEDS

REAR-FIRING RED/GREEN LED



APPROVALS		MOTOROLA MOBILE DEVICES	
ENGINEER: MMI		BLOCK TITLE:	
LAST MODIFIED BY: MMI Tue Aug 23 15:12:36 2016		root	
B	PROJECT NAME 84016537001_05.cpm	REV 01	
CAD FILE NAME:		PAGE 9 OF 17	

DEVELOPER NOTE (CHARGER CONFIG):

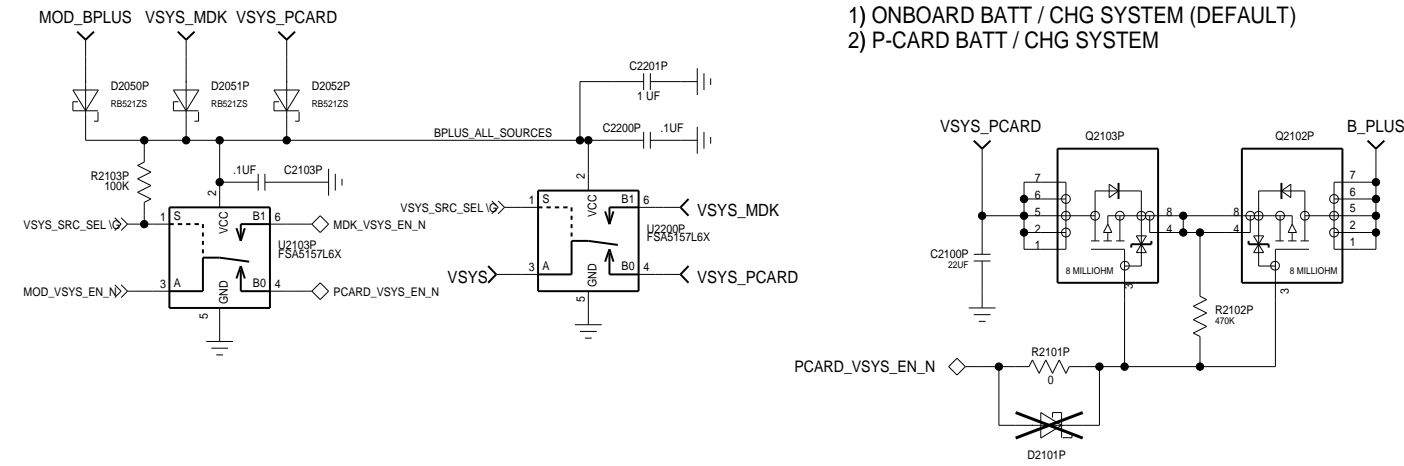
- 1) MODS THAT DO NOT HAVE A BATTERY CAN REMOVE ALL COMPONENTS ON THIS PAGE
- 2) MODS THAT DO NOT HAVE AN EXTERNAL CHARGING PORT CAN REMOVE U2550 AND CONNECT MOD_VBUS DIRECTLY TO CHG_VBUS_IN
- 3) MODS THAT DO HAVE AN EXTERNAL CHARGING PORT, CONNECT EXT_CHG_VBUS TO THE CHARGING PORT POWER INPUT (E.G. USBC_VBUS)

DEVELOPER NOTE (MDK CONVERSION):

- 1) REPLACE "VSYSDRV" WITH "VSYSDRV"

ROOT: BATTERY / CHARGING (MDK ONLY)

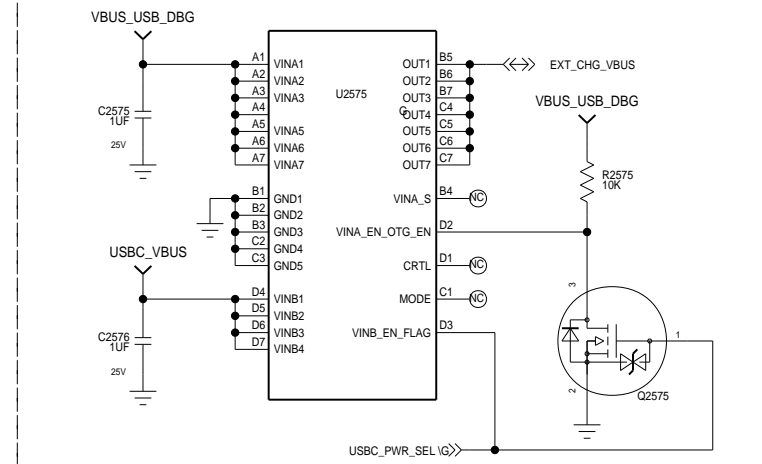
MDK ONLY -- VSYS POWER PATH SELECTION



SELECT BETWEEN :
 1) ONBOARD BATT / CHG SYSTEM (DEFAULT)
 2) P-CARD BATT / CHG SYSTEM

MDK ONLY -- USBC VBUS PATH SELECTION

SELECT BETWEEN :
 1) "GROUP B" USB-C CONNECTOR (DEFAULT)
 2) DEBUG USB-C CONNECTOR

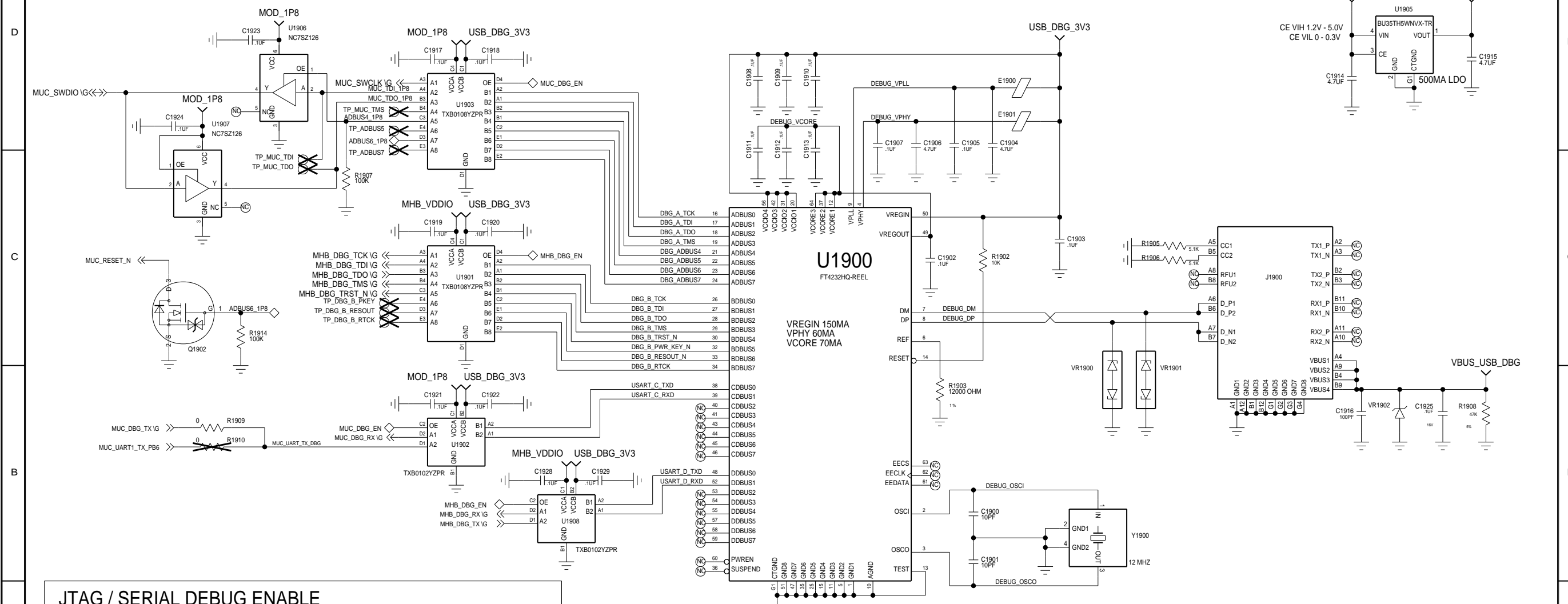


APPROVALS		MOTOROLA MOBILE DEVICES	
ENGINEER: MMI		BLOCK TITLE:	
LAST MODIFIED BY: MMI Tue Aug 23 15:03:39 2016		root	
B	PROJECT NAME	REV	
	84016537001_05.cpm	01	
CAD FILE NAME:		PAGE 10 OF 17	

DEVELOPER NOTE (MDK CONVERSION):

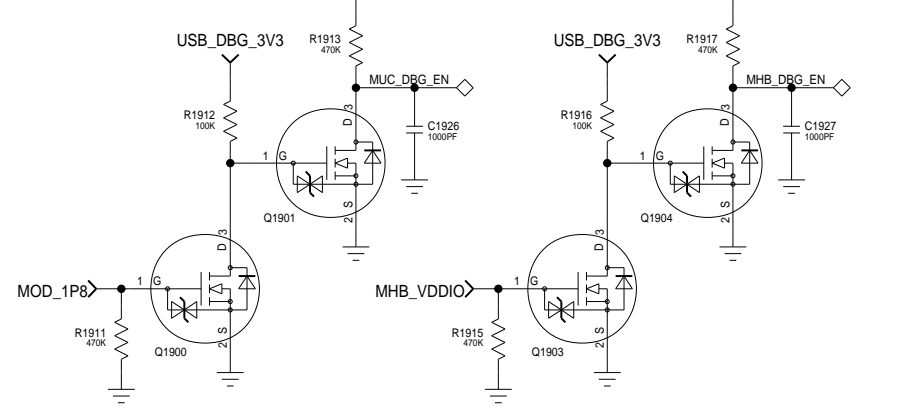
- 1) DELETE THIS PAGE ENTIRELY WHEN DESIGNING YOUR OWN MOD

ROOT: MDK DEBUG ACCESS



JTAG / SERIAL DEBUG ENABLE

DEBUG WILL BE ENABLED
200USEC AFTER 1.8V & 3.3V
ARE BOTH PRESENT



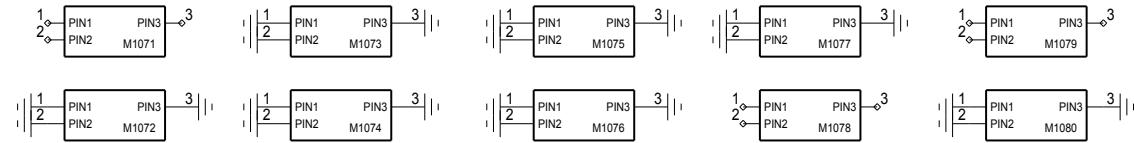
APPROVALS		MOTOROLA MOBILE DEVICES	
ENGINEER: MMI		BLOCK TITLE:	
LAST MODIFIED BY: MMI		root	
Tue Aug 23 12:12:38 2016		PROJECT NAME	REV
		B 84016537001_05.cpm	01
CAD FILE NAME:		PAGE 11 OF 17	

DEVELOPER NOTE (MDK CONVERSION):

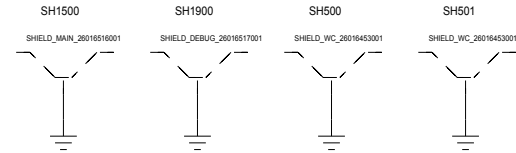
- 1) DELETE THIS PAGE ENTIRELY WHEN DESIGNING YOUR OWN MOD

ROOT: MECHANICAL

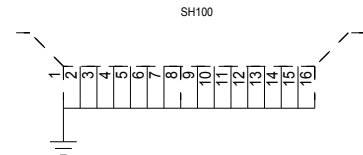
HOUSING SCREW BOSSES



SHIELDS



BATTERY TRAY

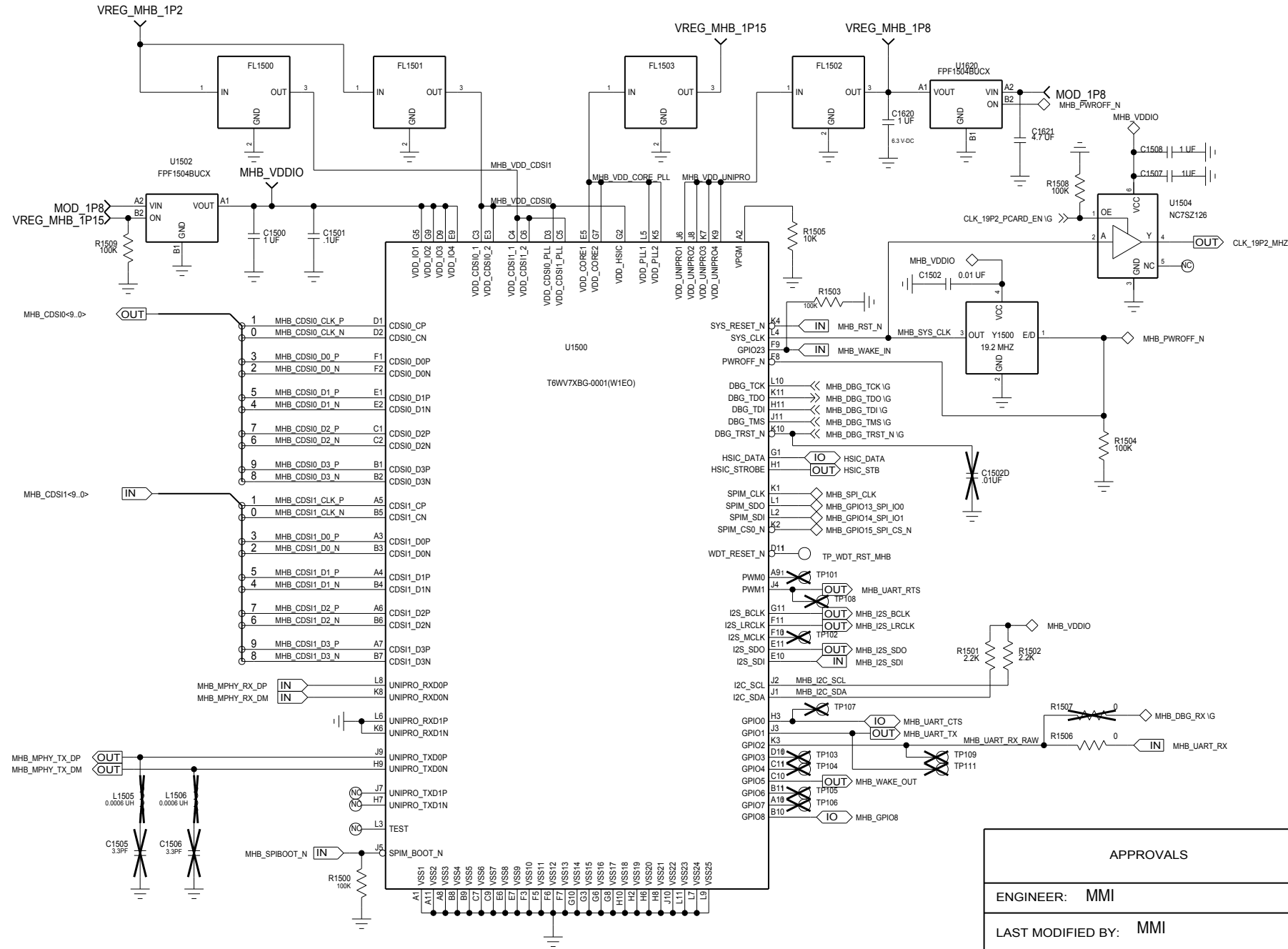


APPROVALS		MOTOROLA MOBILE DEVICES	
ENGINEER: MMI		BLOCK TITLE:	
LAST MODIFIED BY: MMI Tue Aug 23 12:12:39 2016		root	
B	PROJECT NAME	REV	
	84016537001_05.cpm	01	
CAD FILE NAME:		PAGE 12 OF 17	

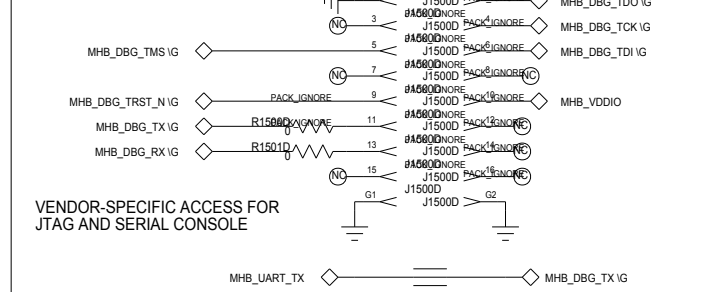
DEVELOPER NOTE (MDK CONVERSION):

- 1) REPLACE MECHANICAL PARTS ON THIS PAGE WITH MECHANICAL PARTS SPECIFIC TO YOUR MOD

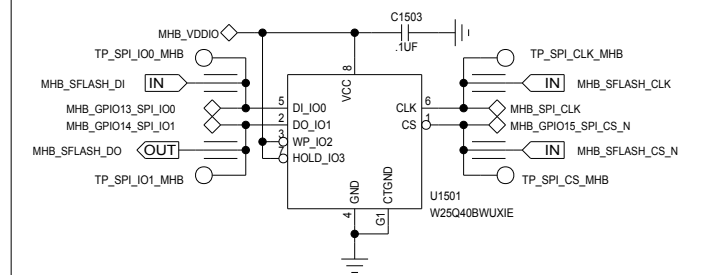
MHB



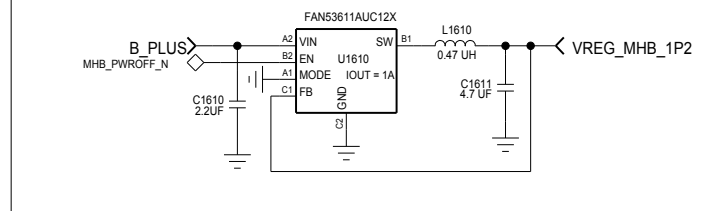
JTAG / CONSOLE



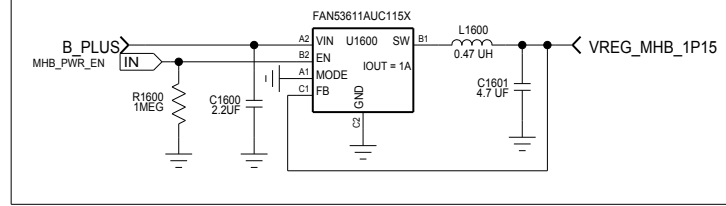
SPI FLASH FOR CODE STORAGE



1.2V SUPPLY



1.15V SUPPLY



APPROVALS		MOTOROLA MOBILE DEVICES	
ENGINEER: MMI		BLOCK TITLE: mhb	
LAST MODIFIED BY: MMI Tue Aug 23 12:12:33 2016		PROJECT NAME B 84016537001_05.cpm	REV 01
CAD FILE NAME:		PAGE 13 OF 17	

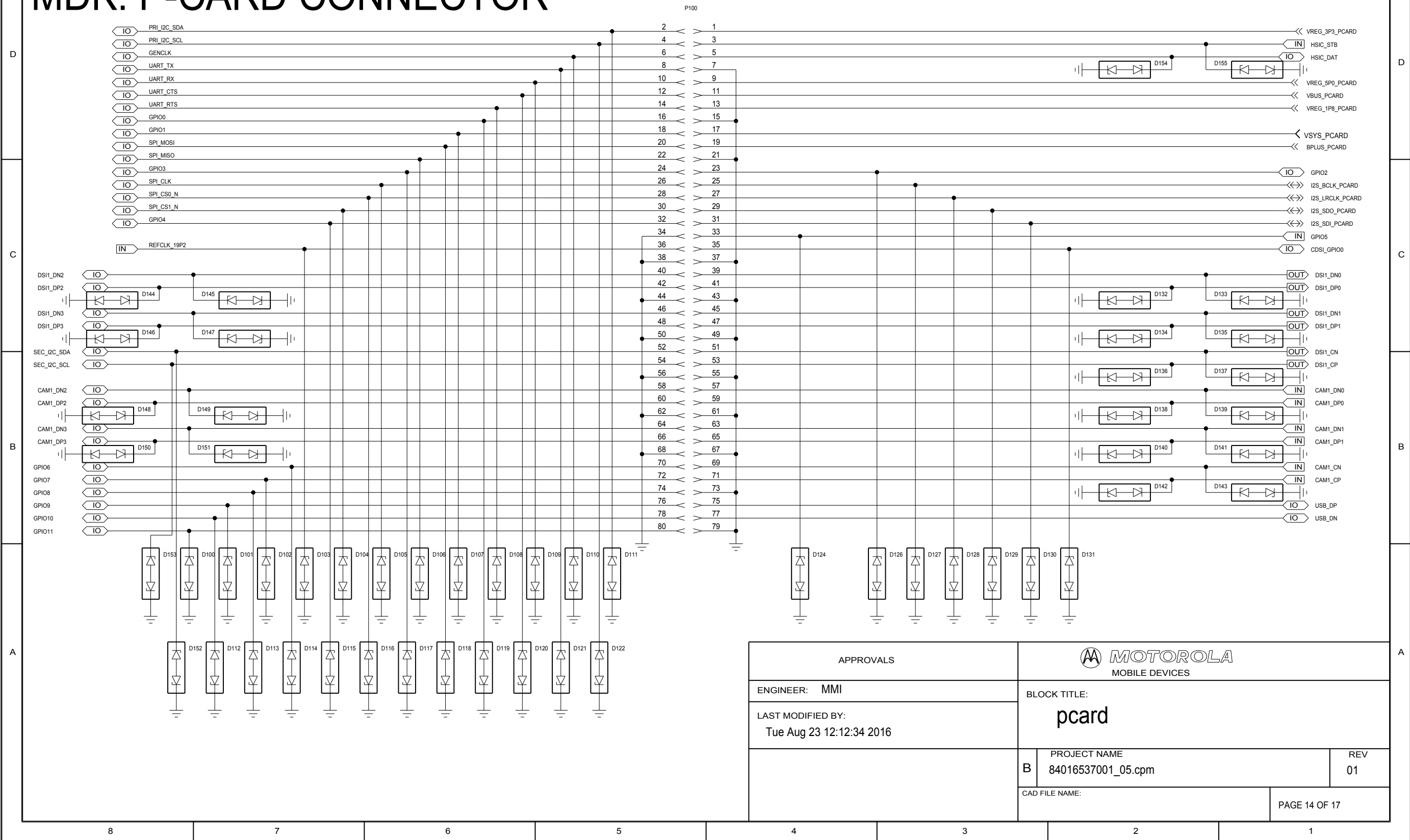
DEVELOPER NOTE (IFACE CONFIG):

1) MODS THAT DO NOT NEED THE MHB CAN REMOVE ALL COMPONENTS ON THIS PAGE

DEVELOPER NOTE (MDK CONVERSION):

1) DELETE U1504, R1508, C1507, C1508

MDK: P-CARD CONNECTOR



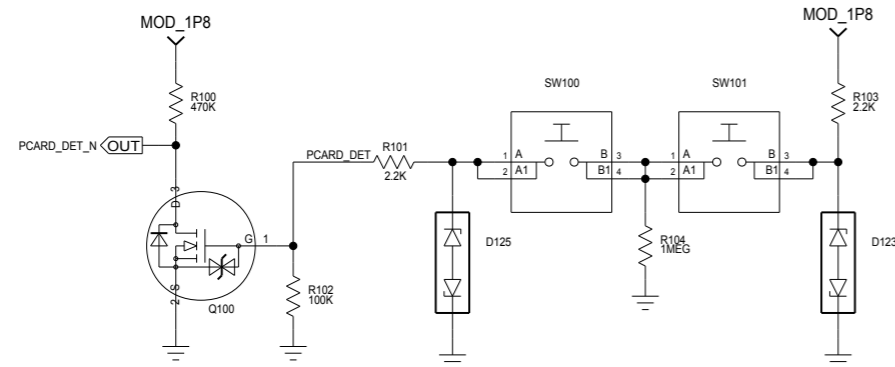
APPROVALS		MOTOROLA MOBILE DEVICES	
ENGINEER: MMI		BLOCK TITLE:	
LAST MODIFIED BY: Tue Aug 23 12:12:34 2016		pcard	
		PROJECT NAME	REV
		B 84016537001_05.cpm	01
		CAD FILE NAME:	PAGE 14 OF 17

DEVELOPER NOTE (MDK CONVERSION):

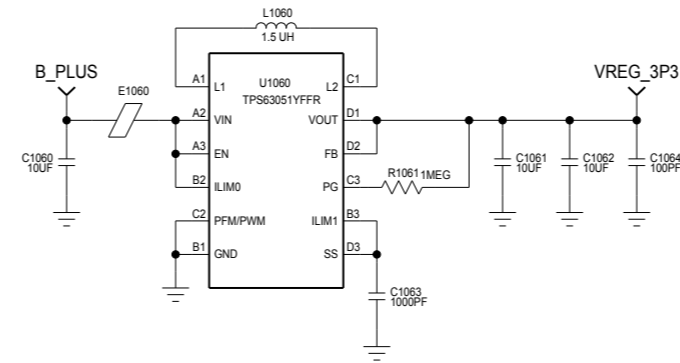
1) REPLACE THIS PAGE WITH PARTS SPECIFIC TO YOUR MOD

MDK: P-CARD SUPPORT

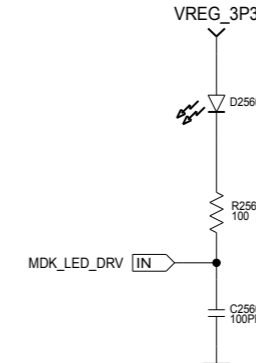
PERSONALITY CARD DETECT SWITCHES



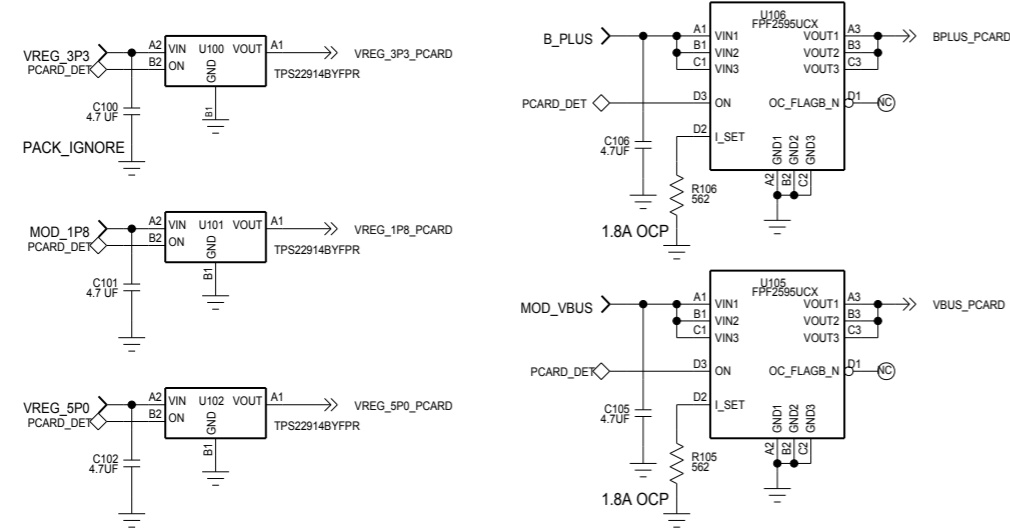
3.3V SUPPLY 500MA



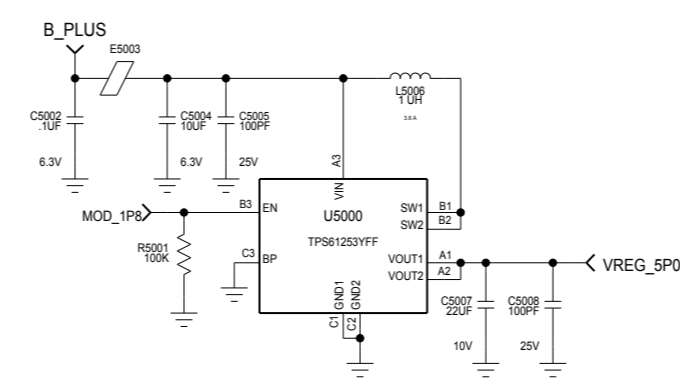
USER DEFINABLE LED TOP-FIRING WHITE LED



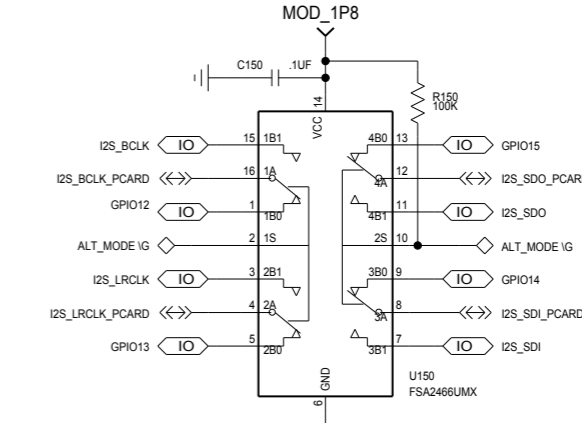
PERSONALITY CARD POWER SUPPLIES



5V SUPPLY 1.5A



I2S / GPIO SWITCH



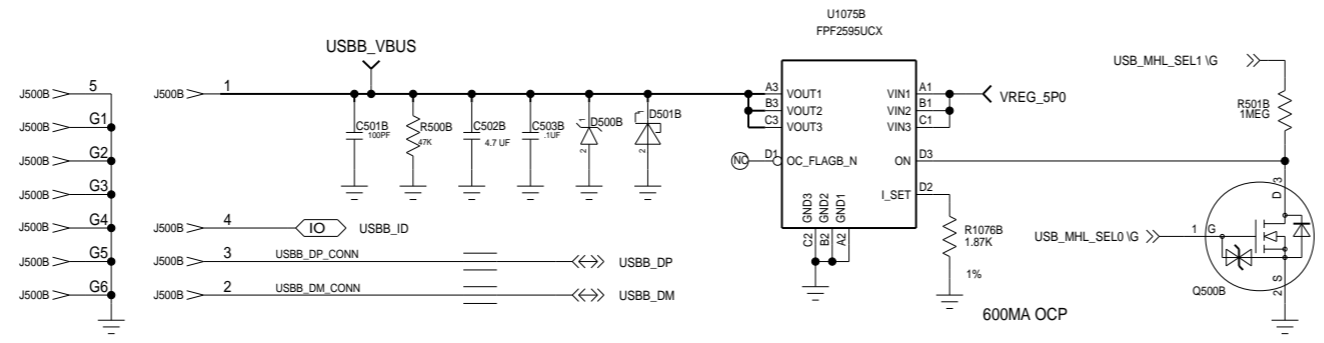
APPROVALS		MOTOROLA MOBILE DEVICES	
ENGINEER: MMI		BLOCK TITLE: pcard	
LAST MODIFIED BY: MMI Tue Aug 23 15:13:28 2016		PROJECT NAME B 84016537001_05.cpm	REV 01
CAD FILE NAME:		PAGE 15 OF 17	

DEVELOPER NOTE (MDK CONVERSION):

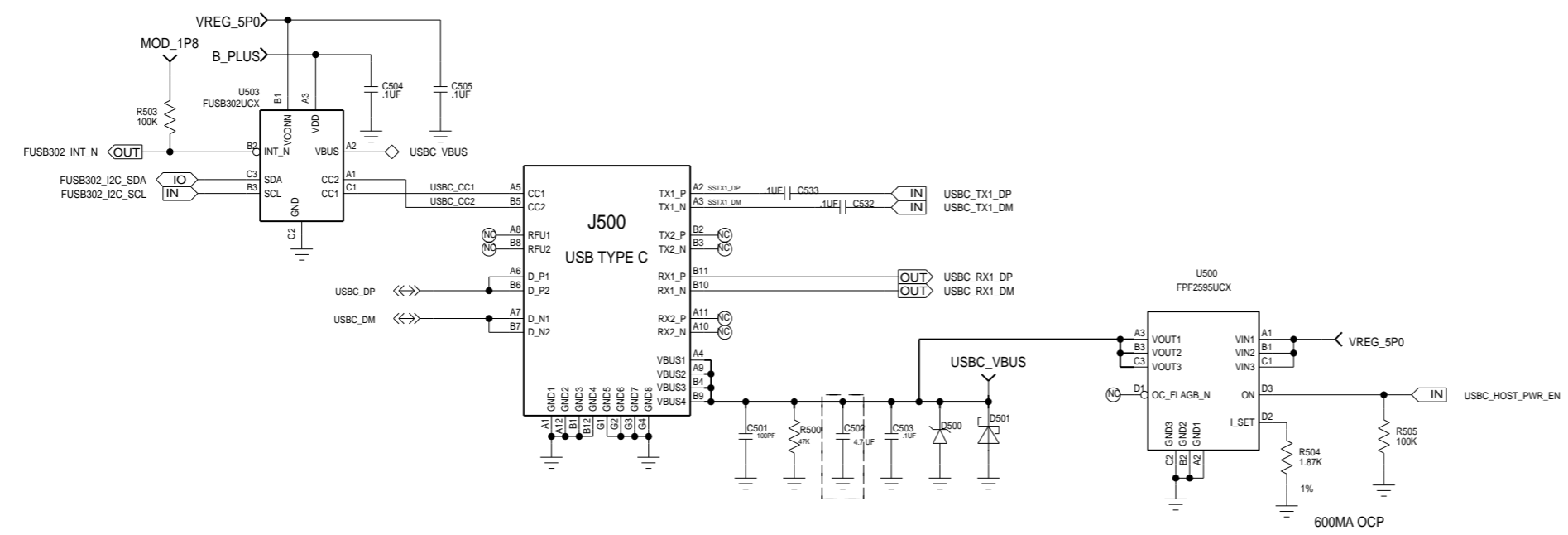
- 1) REPLACE THIS PAGE WITH PARTS SPECIFIC TO YOUR MOD

USB: MDK CONNECTORS

USB MICRO-B



USB TYPE C



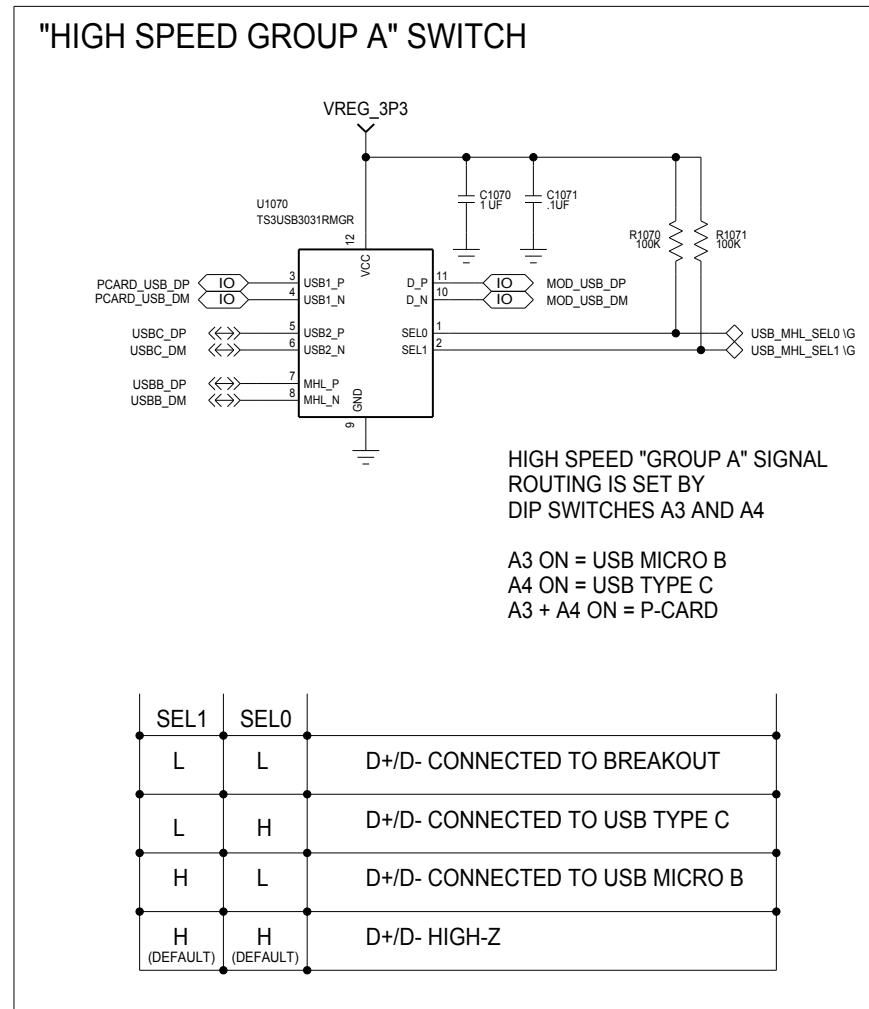
APPROVALS	
ENGINEER:	MMI
LAST MODIFIED BY:	MMI
Tue Aug 23 12:12:40 2016	

 MOTOROLA MOBILE DEVICES	
BLOCK TITLE:	
usb	
PROJECT NAME	REV
B 84016537001_05.cpm	01
CAD FILE NAME:	
PAGE 17 OF 17	

DEVELOPER NOTE (MDK CONVERSION):

- 1) REPLACE THIS PAGE WITH PARTS SPECIFIC TO YOUR MOD

USB: 3:1 SWITCH (MDK ONLY)



APPROVALS		MOTOROLA MOBILE DEVICES	
ENGINEER: MMI		BLOCK TITLE: usb	
LAST MODIFIED BY: MMI Tue Aug 23 12:12:40 2016		PROJECT NAME 84016537001_05.cpm	
		REV 01	
		PAGE 16 OF 17	

DEVELOPER NOTE (MDK CONVERSION):

1) DELETE THIS PAGE ENTIRELY WHEN DESIGNING YOUR OWN MOD